

FEATURES

- One piece construction
- Laser welded diaphragm
- Flushed diaphragm
- Ideal for Transmitters

APPLICATION

- Separation systems
- Isolation applications
- Viscous & corrosive media
- High-pressure applications

Flush



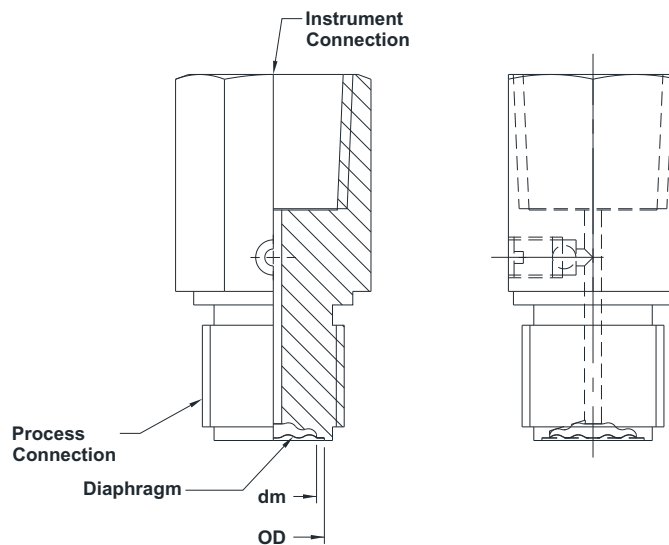
STANDARD SPECIFICATIONS

Range type	: 4...600 bar*
Body material	: AISI 316 SS
Diaphragm	: AISI 316L SS
Instrument connection	: 1/2" NPT (F) / 1/2" BSP (F)
Sealing fluid	: Silicon DC 200 (-40...205°C)
Process connection	: 1/2" NPT (M) / 1/2" BSP (M)*
Assembly	: Direct

*Refer range vs Process connection table

DIMENSIONAL DRAWING

Type S16



All dimensions are in mm.

ORDERING CODES

1. RANGE TYPE

S16 4...600 bar

S16

2. BODY MATERIAL

LF AISI 316 SS
LG AISI 316L SS

LF

3. DIAPHRAGM MATERIAL

DG AISI 316L SS

DG

4. INSTRUMENT CONNECTION

03B 3/8" BSP (F) **04B** 1/2" BSP (F)
02B 1/4" BSP (F) **04N** 1/2" NPT (F)
02N 1/4" NPT (F)

04N

5. SEALING FLUID

OA Silicon DC 200 [-40°C to 205°C]
OF Food grade oil [-20°C to 140°C]
OG Glycerine [10°C to 150°C]
OI Syltherm 800 [-40°C to 315°C]
OL Silicon DC 710 [7°C to 371°C]

OA

6. PROCESS CONNECTION

14N 1/2" NPT (M) **15N** 3/4" NPT (M)
16N 1" NPT (M) **17N** 1.5" NPT (M)
18N 2" NPT (M) **14B** 1/2" BSP (M)
15B 3/4" BSP (M) **16B** 1" BSP (M)
17B 1.5" BSP (M) **18B** 2" BSP (M)

14N

7. ASSEMBLY

B8 Direct
B9 Remote (capillary)

B8

8. CAPILLARY

OU AISI 304SS
OV AISI 316 SS

XX

9. ARMOUR

OX AISI 304SS
OY AISI 316 SS
OZ PVC (Ambient max. 60°C)

XX

10. REMOTE MOUNTING LENGTH

XXXX 1000 mm up to 4000 mm

XXXX

11. OTHER OPTIONS

XZ Dry seal
HL Helium leak test
TM Material test certificate 2.2
TC Material test certificate 3.1

XX

Ordering Example : D104-S16-LF-DG-04N-OA-14N-B8

CONNECTION SIZE Vs RANGE CHART

Thread Size	1/2"	3/4"	1"	1 1/2"	2"
"Diaphragm Size (OD/ED) in "mm"	15/12	20/16	27/23	40/32	48/40
Range (bar)	0...70 to 0...700	0...40 to 0...700	0...25 to 0...700	0...4 to 0...600	0...4 to 0...400

NOTES:

- Other sealing liquids are available, contact factory for further details.
- Remote mounting available in connection 1" and above.
- All metal diaphragms are laser welded to the Top Chamber.