



DIAPHRAGM PRESSURE GAUGE ABSOLUTE PRESSURE TYPE

P605

FEATURES

Pressure measurement independent of fluctuations in the atmospheric pressure
For gaseous, liquid and aggressive media, also in aggressive ambience

APPLICATIONS

Monitoring of vacuum pumps
Control of vacuum packing machines



STANDARD PARAMETERS

Accuracy	: 1,6%
Service temperature	: 100 °C max.
Ambient temperature	: -20...+60 °C / -40...+60 °C with silicon oil dampening
Overpressure safety	: 1,3 FS value

MATERIAL OF CONSTRUCTION

Sensing element	: Diaphragm AISI 316L SS
Pressure chamber	: AISI 316 SS
Sealing bellow	: AISI 316 L SS
Case and Ring	: AISI 304 SS
Dial	: Aluminium, black lettering on white background
Pointer	: Aluminium, black, microadjustable
Movement	: AISI 304 SS

STANDARD SPECIFICATIONS

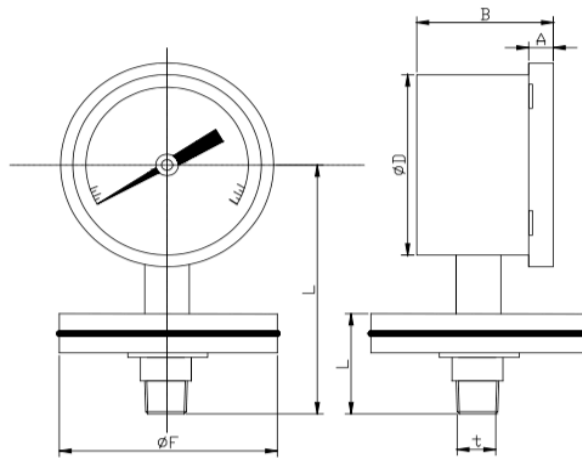
Window	: Shatterproof safety glass
Dial size	: DN100 / DN150
Range	: 0...0,025 to 25 bar a
Mounting pattern	: Direct, bottom connection
Process connection	: ½" NPT or BSP
Execution	: Dry or Filled
Ingress protection	: IP65

TEMPERATURE EFFECT

When temperature of the measuring system deviates from reference table (+20 °) max error $\pm 0,4$

P605

DIAPHRAGM PRESSURE GAUGE ABSOLUTE PRESSURE TYPE



Dimensions (mm)

DN	Range	ØF	A	B	ØD	t	L	y	Weight Kg
100	0/25 to 0/250 mbar	150	17	52	100	½" BSP or NPT	146	55	2,6
150			17	52	150	½" BSP or NPT	171	55	3,2
100	0/0,4 to 0/25 bar	110	17	52	100	½" BSP or NPT	146	55	1,8
150			17	52	150	½" BSP or NPT	171	55	2,2

ORDERING CODES

1. DIAL SIZE

- 04 100 mm / 4"
- 06 150 mm / 6"

06

2. RANGE

- XXX Refer " range table"

XXX

3. MOUNTING PATTERN

- B0 Direct, bottom
- B1 Surface with back flange
- B2 2" pipe yoke mounting

B0

4. PROCESS CONNECTION

- 14B ½" BSP M
- 14N ½" NPT M

14N

5. INGRESS PROTECTION

- ER IP65

ER

6. EXECUTION

- EA Dry
- EG Glycerine filled
- EH Silicon oil filled

EG

7. OTHER OPTIONS

- BA Case & Ring AISI 316
- OQ Overpress. 5 times FSV
- TA 5 points calibration certificate
- TC Material Test Certificate
- XF SS TAG Plate
- XT Dial tag marking

XF

Ordering example : P605-06-xxx-B0-14N-ER-EG-XF