

## FEATURES

- Rugged construction
- Stainless steel case
- Dry / liquid filled

## APPLICATION

- Hydraulic & pneumatic
- Pumps & compressors
- Diesel engines
- Water applications

## REFERENCE

EN 837-1

### Economical



### STANDARD PARAMETERS

Accuracy	:	CL 1.6 (DN63, DN80, DN100) & CL 2.5 (DN50)
Ambient temperature	:	-40...+65°C (without dampening liquid)
	:	-20...+65°C (with dampening liquid)
Service temperature	:	150°C max. (Dry Version)
Pressure limits	:	Steady pressure up to 75% of FS value
	:	Short time 1.1 x FS value for all ranges.
Joints	:	Silver alloy brazing / soldering

### MATERIAL OF CONSTRUCTION

Sensing element	:	Bourdon Tube ( $\leq 100$ bar : C - type , $> 100$ bar : Helical)
Case & Ring material	:	AISI 304 SS (Bayonet type)
Bourdon tube	:	Phosphor Bronze
Shank	:	Brass
Movement mechanism	:	Copper Alloy
Dial	:	Aluminum, black graduation on white background
Pointer	:	Fixed, aluminum, black powder coated
Gaskets & filling plug	:	NBR
Window	:	Plexi glass

### STANDARD SPECIFICATIONS

Dial size	:	DN50 / DN63 / DN80 / DN100
Range	:	-1...400 bar
Mounting pattern	:	Direct, Bottom connection
Process connection	:	1/4" NPT (M) / 1/4" BSP (M)
Ingress protection	:	IP 65
Execution	:	Dry but fillable

### STANDARD SPECIFICATIONS : DAMPENING LIQUID FILLED, GLYCERIN

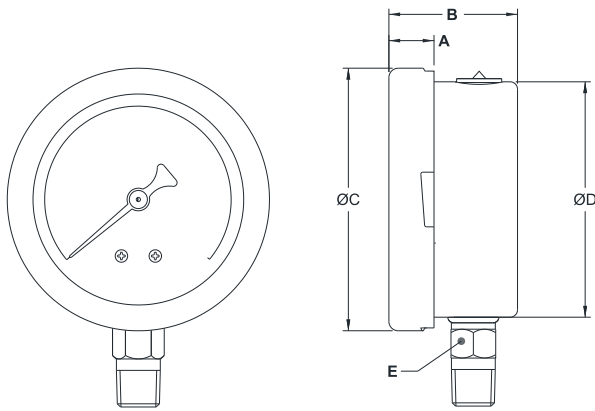
Window	:	Plexi glass
Dampening liquid	:	Glycerine [Service temperature up to 65°C]

### TEMPERATURE EFFECT

When temperature of the measuring system deviates from reference temperature (+20°C) max error  $\pm 0.4\%$  / 10K of true scale value.

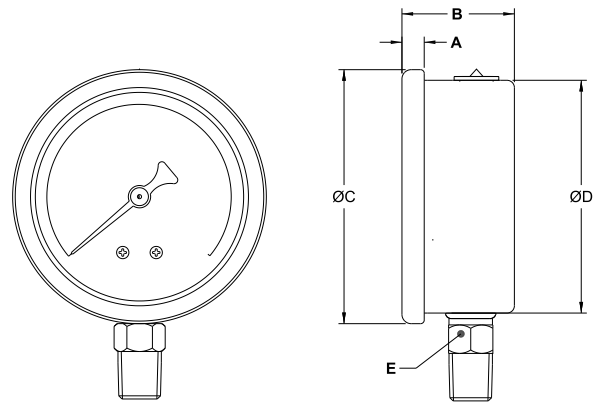
DIMENSIONAL DRAWING

Type B0, (Bayonet ring)



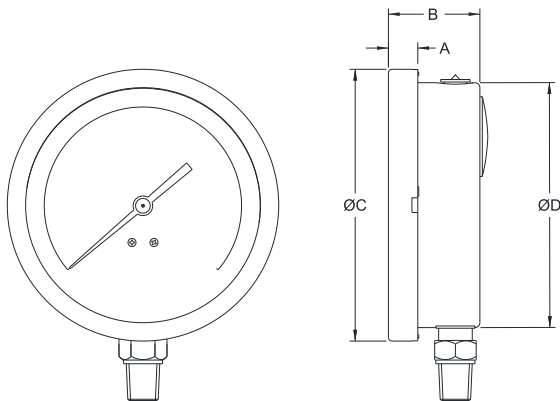
DN	A	B	ØC	ØD	E	Weight (grams)
50	9	34	58.5	51	A/F14	130
63	12	33	69.7	62.5	A/F14	250

Type B0, (Rolling ring)



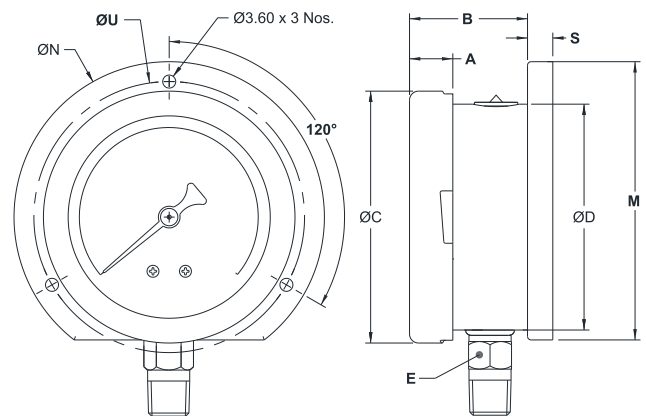
DN	A	B	ØC	ØD	E	Weight (grams)
50	5	32.5	57.5	51.5	A/F14	120
63	5	31.5	68	62.5	A/F14	240

Type B0, (Bayonet ring)



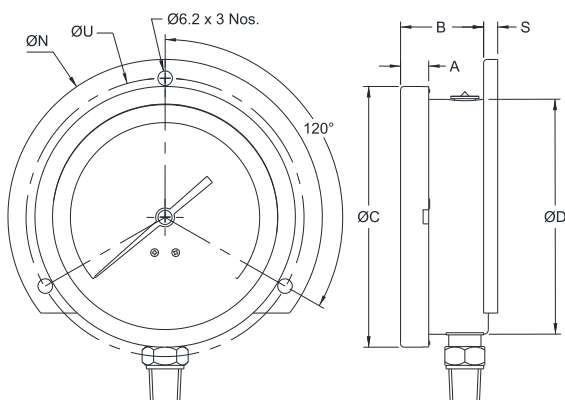
DN	A	B	ØC	ØD	E	Weight (grams)
80	9.5	33.5	89.5	80	A/F 14	328
100	12	38	111	100	A/F 14	398

Type B1, (Bayonet ring)



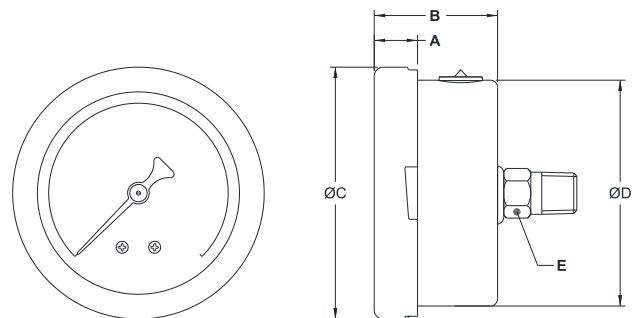
DN	A	B	ØC	ØD	E	ØN	ØU	M	S	Weight (grams)
63	12	33	69.7	62.5	A/F14	86	75	77	7	294

Type B1, (Bayonet ring)



DN	A	B	ØC	ØD	E	ØN	ØU	Weight (grams)
100	12	38	111	100	A/F 14	134	118	472

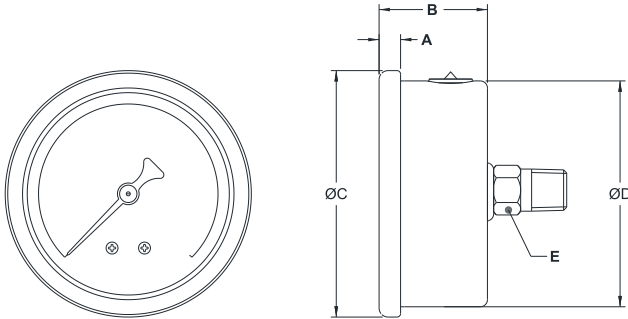
Type R0, (Bayonet ring)



DN	A	B	ØC	ØD	E	Weight (grams)
50	9	34	58.5	51	A/F14	130
63	12	33	69.7	62.5	A/F14	250

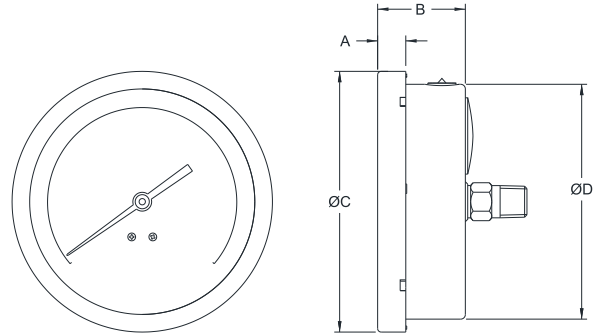
DIMENSIONAL DRAWING

Type R0, (Rolling ring)



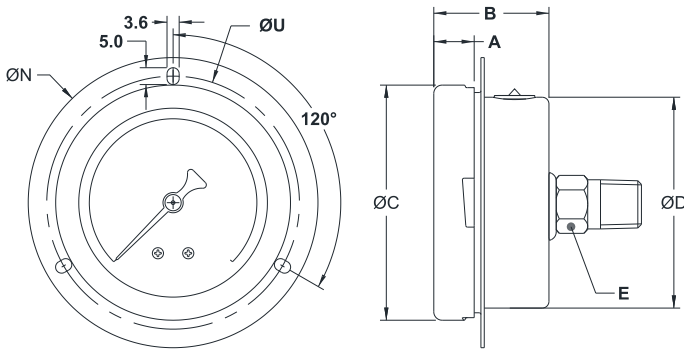
DN	A	B	ØC	ØD	E	Weight (grams)
50	5	33.5	57.5	51.5	A/F14	120
63	5	31.5	68	62.5	A/F14	240

Type R0, (Bayonet ring)



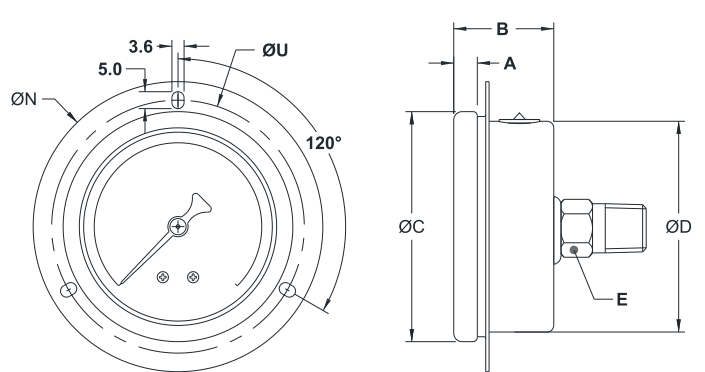
DN	A	B	ØC	ØD	E	Weight (grams)
80	9.5	33.5	89.5	80	A/F 14	328
100	12	38	111	100	A/F 14	398

Type R2, (Bayonet ring)



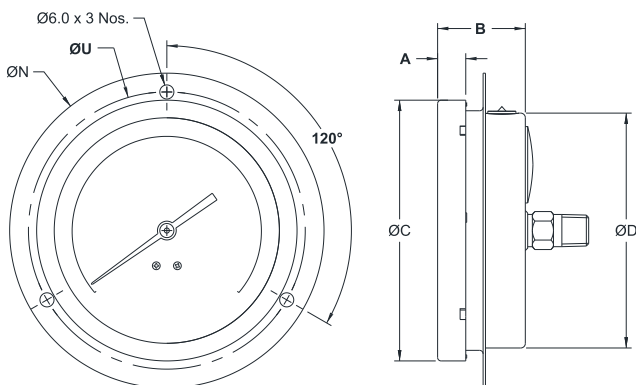
DN	A	B	ØC	ØD	E	ØN	ØU	Weight (grams)
63	12	33	69.7	62.5	A/F14	86	75	280

Type R2, (Rolling ring)



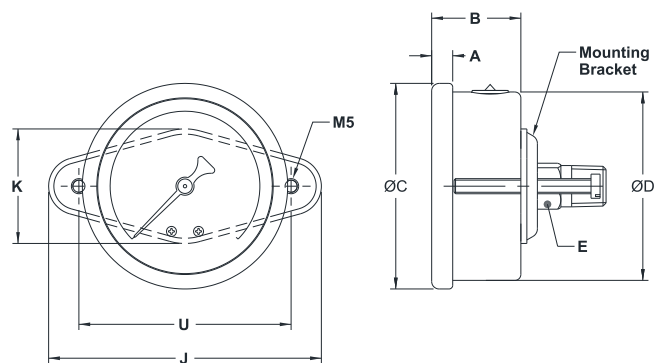
DN	A	B	ØC	ØD	E	ØN	ØU	Weight (grams)
63	5	31.5	68	62.5	A/F14	86	75	270

Type R2, (Bayonet ring)



DN	A	B	ØC	ØD	E	ØN	ØU	M	Weight (grams)
100	12	38	111	100	A/F 14	134	118	128	505

Type R3, (Bayonet ring)

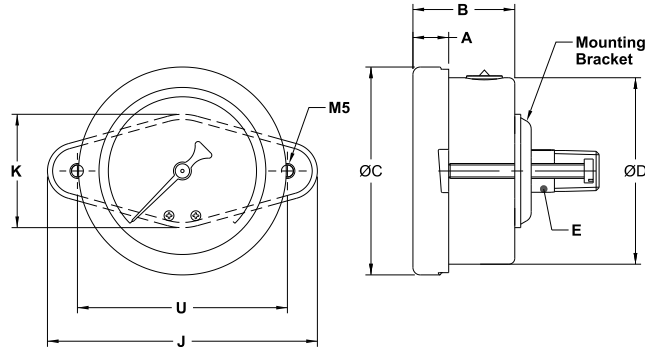


DN	A	B	ØC	ØD	E	ØU	J	K	Weight (grams)
50	5	33.5	57.5	51.5	A/F14	70.5	91	38	153
63	5	31.5	68	62.5	A/F14	70.5	91	38	274

All dimensions are in mm.

DIMENSIONAL DRAWING

Type R0, (Rolling ring)



DN	A	B	ØC	ØD	E	Weight (grams)
50	5	33.5	57.5	51.5	A/F14	120
63	5	31.5	68	62.5	A/F14	240

All dimensions are in mm.

ORDERING CODES

1. DIAL SIZE

- 02 50 mm / 2"
- 25 63 mm / 2½"
- 03 80 mm / 3"
- 04 100 mm / 4"

25

2. RANGE

- XXX Refer "Range Table"

XXX

3. MOUNTING PATTERN

- B0 Direct, Bottom connection
- B1 Wall/Surface/Projection mounting, Bottom connection
- R0 Centre, Back connection
- R2 Panel/Front flange mounting, Centre Back connection
- R3 Panel/bracket mounting, Centre Back Connection

B0

4. PROCESS CONNECTION

- 11N 1/8" NPT (M)
- 12N 1/4" NPT (M)
- 14N 1/2" NPT (M)
- 11B 1/8" BSP (M)
- 12B 1/4" BSP (M)
- 13B 3/8" BSP (M)
- 14B 1/2" BSP (M)

12N

5. INGRESS PROTECTION

- ER IP 65

ER

6. EXECUTION

- EB Dry but fillable
- EG Dampening liquid filled, glycerine

EB

7. OTHER OPTIONS

- EO Dampening screw, Cu Alloy
- EZ Pointer stop on dial
- GC Shatterproof safety glass
- XR Custom designed dial
- XT Dial tag marking / Sr. no Marking
- TA 5 - point calibration certificate
- G9 With Freon temperature scales
- RW Vent plug, On-Off type (For DN 80 & DN 100 only)

XX

Ordering Example : P902-25-XXX-B0-12N-ER-EB

NOTES

1. For other connections, please contact factory.