

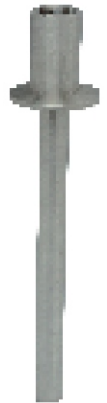
FEATURES

- Sanitary design
- Solid bar-stock drilled

APPLICATION

- Biochemical & pharmaceutical
- Food & beverages
- Sterile process industries

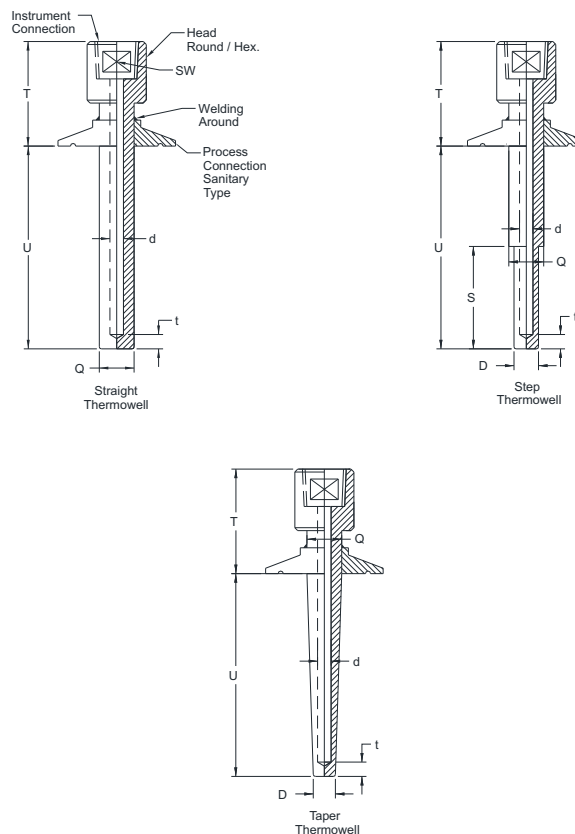
Bar-stock



STANDARD SPECIFICATIONS

Shank form	:	Straight
Material	:	AISI 316 SS
Instrument connection	:	1/2" NPT (F) / 1/2" BSP (F)
Bore diameter	:	6.6 mm
Lag extension	:	50 mm
Root diameter	:	21.0 mm
Tip diameter	:	21.0 mm
Immersion length	:	150 mm
Step / Taper Length	:	150 mm
Tip thickness	:	5 mm
Process connection	:	1 1/2" Tri-clover connection
Head type	:	Round with spanner slot
Head size	:	27 mm

DIMENSIONAL DRAWING



ORDERING CODES

1. SHANK FORM

S	Straight
E	Stepped
T	Tapered

S

2. MATERIAL

MF	AISI 316 SS
MG	AISI 316L SS

MF

3. INSTRUMENT CONNECTION

02N	1/4" NPT (F)
04N	1/2" NPT (F)
05N	3/4" NPT (F)
02B	1/4" BSP (F)
04B	1/2" BSP (F)
05B	3/4" BSP (F)
04M	M20 x 1.5 mm (F)

02N

4. BORE DIAMETER ("d")

N	6.35 mm (1/4")
A	6.6 mm
C	9.0 mm
D	9.6 mm
O	10 mm

A

5. LAG EXTENSION ("T")

XXX	35 mm up to 250 mm
------------	--------------------

50

6. ROOT DIAMETER ("Q")

XX.X	Mention in 'mm'
-------------	-----------------

21

7. TIP DIAMETER ("D")

XX.X	Mention in 'mm'
-------------	-----------------

21

8. IMMERSION LENGTH ("U")

XXXX	50 mm up to 1000 mm
-------------	---------------------

150

13. STEP STYLE

S	Straight
T	Taper

S

9. STEP / TAPER LENGTH ("S")

XXX	Mention in 'mm'
------------	-----------------

150

10. TIP THICKNESS ("t")

M	5 mm
N	6.35 mm (1/4")
O	10 mm

M

11. PROCESS CONNECTION

T01	1" Tri-clover connection
T02	2" Tri-clover connection
T15	1 1/2" Tri-clover connection
T25	2 1/2" Tri-clover connection

T15

12. HEAD TYPE

H	Hex
L	Round with spanner slot

L

13. HEAD SIZE

XX	Mention in 'mm'
-----------	-----------------

27

14. OTHER OPTIONS

XI	Plug & chain in SS
XK	Electro polishing
XL	Marking by laser
XM	Marking by engraving
TD	Dye penetration test
TG	IGC test
TH	Hydro test certificate
TM	Material test certificate 2.2
TN	Tested to NACE standards
TP	Performance test certificate
TW	WFC as per PTC 19.3TW:2010

XM

Ordering Example : W202-S-MF-02N-A-50-21-21-150-S-150-M-T15-L-27-XM

NOTES:

1. Other diameters, connections are available, please contact factory for details.

2. Please refer "Technical Guidance Sheet" for the proper selection of connections according to Head size and Outer diameter of the well.