



ALIAMAG

Converter For Electromagnetic Flowmeter

Model AMC3200DF Series

GENERAL

ALIAMAG The AMC3200DF Series converter features in dual frequency excitation. The reduced noise and improved signal to noise ratio make it more idea for slurry measurement in various industries such as papermaking and chemistry. The unit features multiple display parameters including flow rate, flow total, diagnostics, programming and troubleshooting. It's equipped with bluetooth, HART and MODBUS communication functions.

FEATURES

- Dual Frequency Excitation Method
- Three line LCD display Flow Rate / Totalizer
- Accuracy of +/-0.4% value of reading
- Bi-directional flow measurement, current and pulse output
- Explosion Proof, Ex d ia [ia] q IIC T6
- Bluetooth / MODBUS / HART communication
- Converter can be rotated at four directions for easy installation

STANDARD SPECIFICATION

- Excitation : Dual Frequency Excitation
- Display : 3 Lines LCD with illumination
 - Line 1 : 9 Digit totalizer for forward flow
 - : 9 Digit totalizer for reverse flow
 - : 9 Digit totalizer for difference
 - Line 2 : 5 Digit flowrate / velocity / % / mA / Hz
 - Line 3 : Parameter / Query / Clr tot / Query LOG Alarm, GuidanceTotalizer Unit : t, kg, g, lb, Ston, Lton, m³, L, mL, lgal, gal, Mgal, bbl, ft³, a-ft
Time Unit : sec, min, hour, day
- Measuring Range : Min. 0-0.15 m/s
: Max. 0-15 m/s
- Accuracy : +/-0.4% of reading (Velocity≥1.0 m/s)
: +/-0.002 m/s (Velocity: 0.3...1.0 m/s)
- Repeatability : +/-0.2% of reading
- Current Output : 4-20 mA (Isolated)
Load : Max. 500 Ω
- Pulse Output : Open collector
Rating : 3-30 VDC, 50 mA Max.
- Pulse Rate : 1)Scaled pulse (mL/Pulse, L/Pulse, Other)
: 2)Frequency: 0-5000 Hz
- Pulse Width : 50% of band width
- Alarm : High / Low with open collector output
Rating : 3-30 VDC, 50 mA Max.
- Communication : Bluetooth (Android) Standard
: RS485 (MODBUS Protocol) Standard
: HART signal (Compatible) Optional
- Keypad : 3 Internal keys for programming and display control
- Data Storage : Operation parameters and totalizer figures are stored by EEPROM for more than 10 years
- Low Flow Cutoff : 0-9.9%
- Damping : 0-99 Seconds
- Density Setting : 0.001-9.999 g/cm³
- Self Diagnosis : The following error messages are displayed if failure occurs
 - Abnormal sample
 - Pulse width
 - Overanged output
 - Internal error
 - Overflow
 - Empty pipe
- Cable Entry : Standard: M20 Option: 1/2" NPTF
- Protection Class : IP67, Explosion Proof, Ex d ia [ia] q IIC T6
- Ambient Temperature : -25~65 °C
- Material : Aluminum Alloy
- Power Supply : 90-260 VAC, 50/60 Hz
: 24 VDC +/-10% (Option)
- Power Consumption : 6-8 W (Dependent on sensor size)
- Weight : 4.5 kg
- Mounting : Bracket on 2" pipe
- AMF Collocation Type : AMF900, AMF601, AMF500
- Sensor Size : DN10-DN450



ALIA TECHNOLOGY LLC

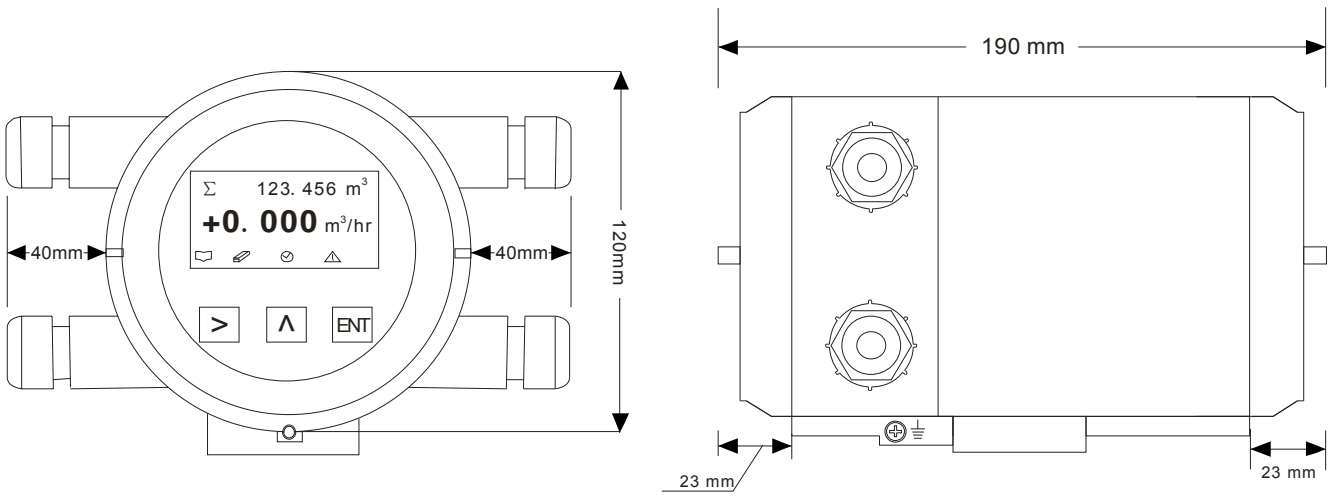
633 W. 5th Street, 26th Floor, Los Angeles, CA 90071, USA
TEL : + 1 - 213 - 533 - 4139 FAX : + 1 - 213 - 223 - 2317



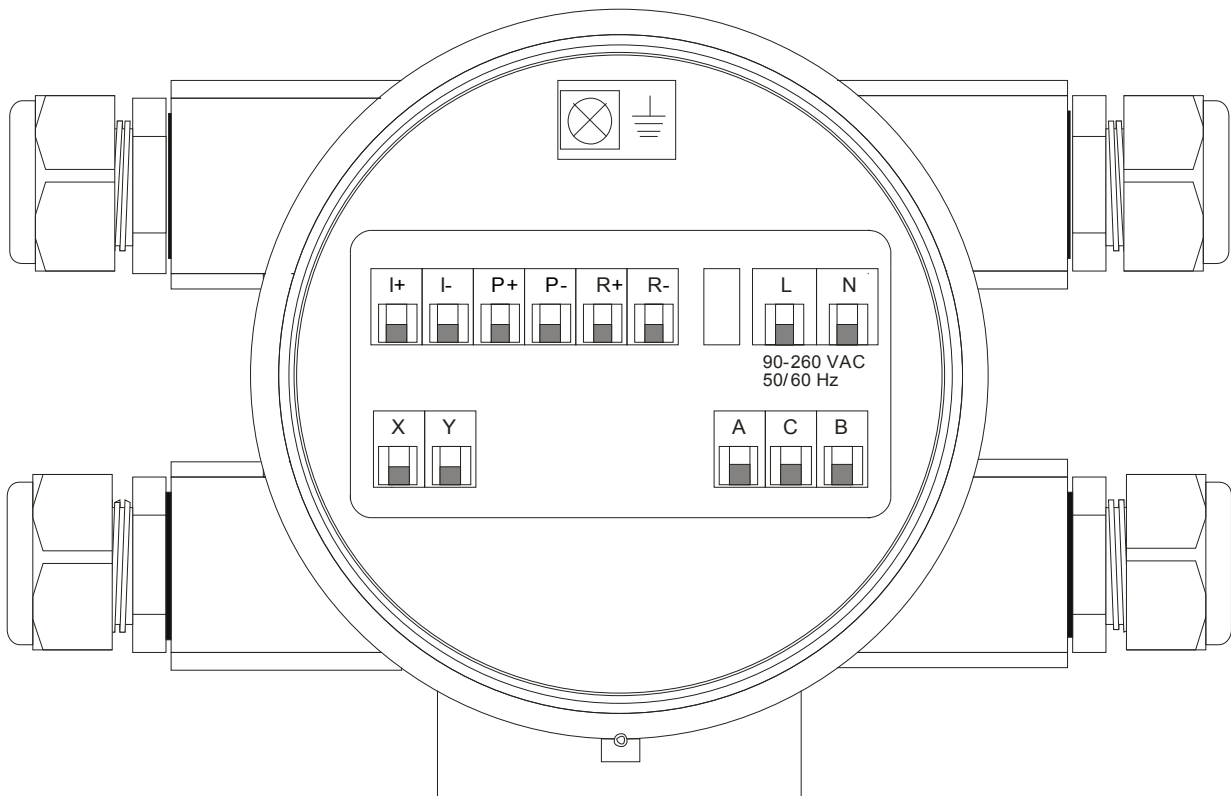
URL : www.alia-inc.com
E-mail : alia@alia-inc.com
AMC3200DFV1.2.3.r5.A4.en



➤ DIMENSIONS



➤ WIRING DIAGRAM

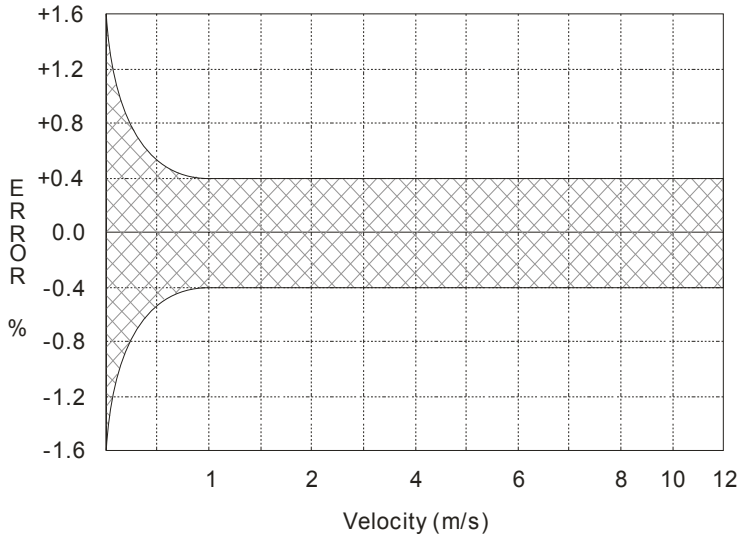


I+: 4-20 mA Output +
I-: 4-20 mA Output -

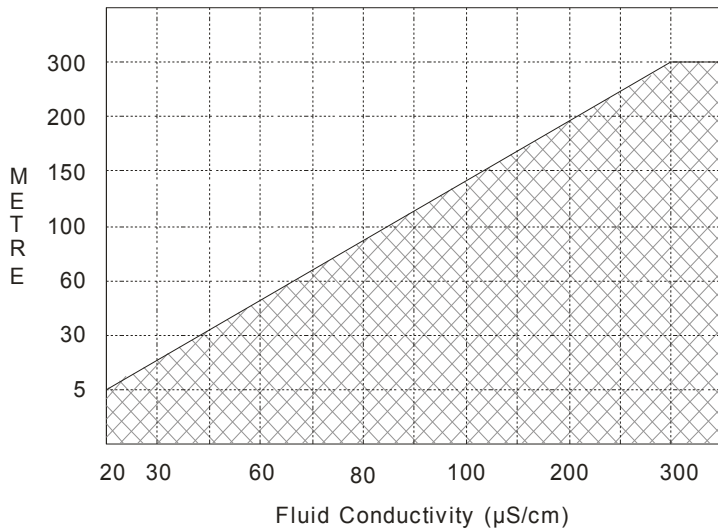
P+: Pulse Output +
P-: Pulse Output -

R+: RS485 Output +
R-: RS485 Output -

➤ ACCURACY



➤ CABLE LENGTH BETWEEN SENSOR & CONVERTER



➤ MODEL SELECTION GUIDE

AMC3200DF Series					
Example: AMC3200DF-AC-CP-EX-HT/PT					
AMC3200DF-	XX-	XX-	XX-	XX	Description
Power Supply	AC-				90-260 VAC, 50/60 Hz
	DC-				24 VDC, +/-10%
Mounting		CP-	Compact with Sensor (Max. Operating Temperature: 80 °C)		
		CH-	Compact with Sensor (Max. Operating Temp.: 120 °C, Without EX)		
		S2-	Remote, 2" Mounting Bracket or Wall Mounting		
Protection Class		NN-	IP67		
		EX-	Explosion Proof, Ex d ia [ia] q IIC T6		
Option		NN	None		
		HT	HART Signal (Compatible)		
		PT	Cable Entry 1/2" NPTF		

➤ BUILD OPTIONS-(COMPACT OR REMOTE)

