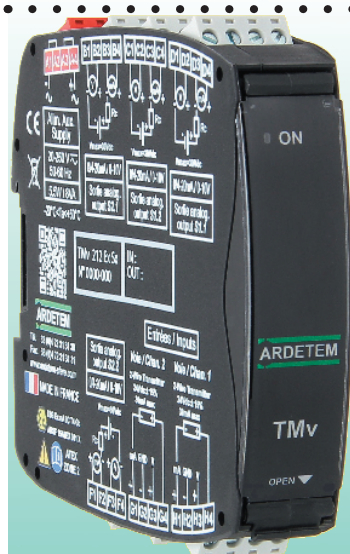


ISOLATOR-DUPLICATOR SINGLE OR DOUBLE-CHANNEL TMv111 / 112 / 211 / 212



- **Universal power supply:**
20 to 250 Vac and 20 to 250 Vdc or 24Vdc -15/+30% avec can be powered by the Bus (option Z)
- **Sensor supply**
24 Vdc $\pm 15\%$ with protection from short-circuits (I_{max} 30mA)
- **Response time** < 7.5ms
- **Input:**
0-20mA, 4-20mA or 0-10V (different references)
- **Output(s):**
1 or 2 isolated output(s) (duplicator) per channel.
Active or passive current output (0-20mA / 4-20mA), or voltage output 0-10V (different references)

Features

Inputs:

| | permanent overload | input impedance |
|-----------|--------------------|-----------------|
| mA | 100mA | 5 Ω |
| V | 50V | 1M Ω |

Output(s):

Load impedance in current: $\leq 700\Omega$
Max. loop voltage in current output passive: 30V
Load impedance in voltage: $\geq 5K\Omega$

Transfer:

Accuracy: $\pm 0,1\%$ of the measure range
Response time: $\leq 7.5ms$
Drift in temperature: 150 ppm typical

Power supply: 20 to 250 Vac and 20 to 250 Vdc or 24Vdc -15 to +30% for the version with Bus supply (option z)

Consumption: 5,5W max. 8 VA max.

Dielectric hold: 3kV / 50Hz / 1min.
(input(s)/output(s)/supply)

Operating temperature: -20 to +50°C

Storage temperature: -20 to +70°C

Installation:

Pollution degree 2 / voltage surge II / Max. altitude: 2000m

Protection: housing / terminals: IP20
Removable terminal blocks for screwed connections (2.5 mm², flexible or rigid)
Weight: 290 g (with packaging)
Self-extinguishing case of black UL 94VO PA66
Mounting in cabinet, latching on symmetrical DIN rail

Compliance with standards:

Directive «electrical safety» EN 61010-1
«ATEX» 2014/34/UE (area 2): EN60079-0, EN60079-15
Directive EMC 2014/30/UE EN 61326-1

Marking:

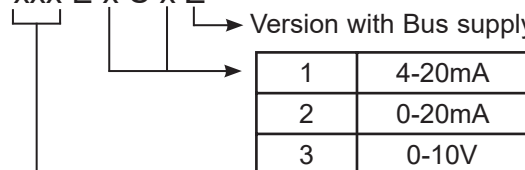


II 3 G Ex nA IIC T4 Gc

(* see the warning next page for installation in area 2)

Coding

TMv xxx E x S x Z

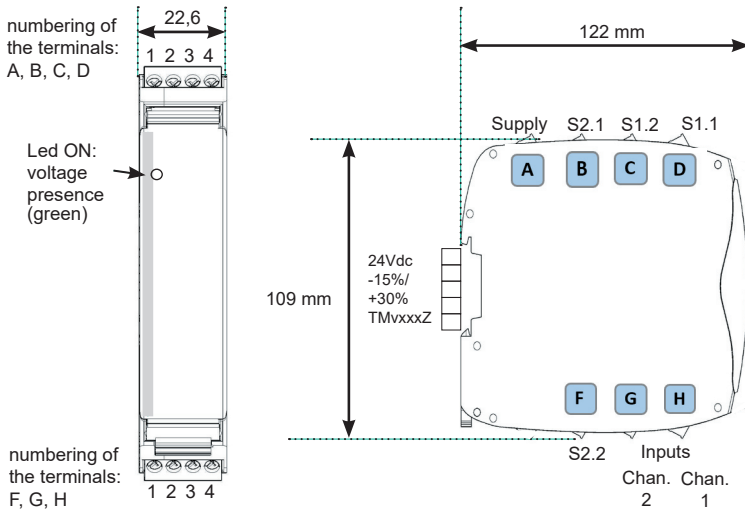


Version with Bus supply 24Vdc -15/+30%

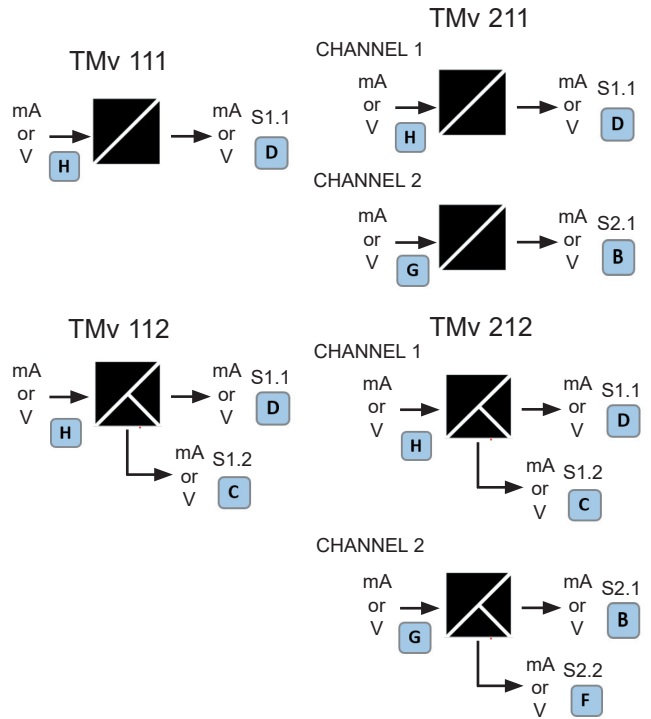
111: 1 input / 1 output
112: 1 input / 2 outputs
211: 2 channels 1 input / 1 output
212: 2 channels 1 input / 2 outputs

Example: TMv212 E1S1
2 channels, inputs 4-20mA
2 outputs 4-20mA on each channel

Dimensions



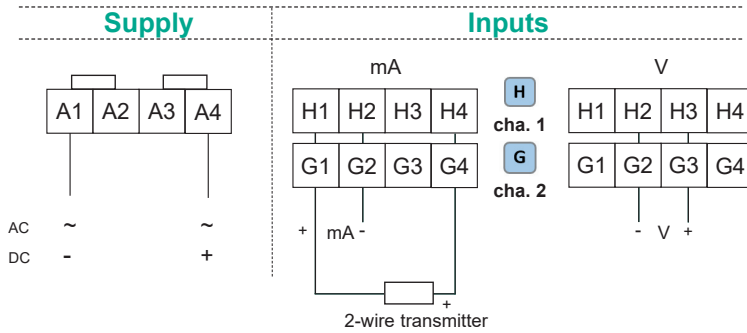
- S1.1: channel 1, output 1 **D**
- S1.2: channel 1, output 2 **C**
- S2.1: channel 2, output 1 **B**
- S2.2: channel 2, output 2 **F**



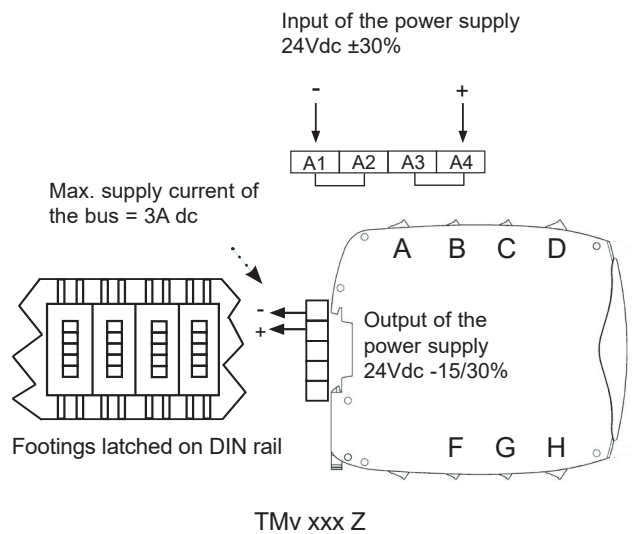
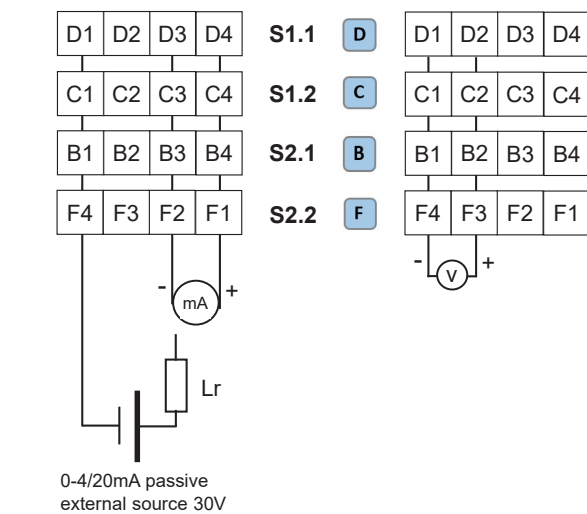
* Installation in Area 2 (ATEX)

Ex II 3 G Ex nA IIC T4 Gc

Connectings



The product must be installed by qualified staff, competent on the directives and the regulation applicable to the area 2. It must be installed in a protecting envelope conform with the EN 60079-15. The operator must ensure an external protection in order to prevent transient disturbances on the supply higher than 40% of the nominal voltage. Cut both the main and emergency power supplies or make sure you are in non-hazardous area before any connection or disconnection of any cable connected to the TMv. The installation must comply with the EN 60079-14 : 2014.



RCS Lyon 444-429-476 - Printed in France.

e-mail : info@ardetem.com
<http://www.ardetem.com>

Route de Brindas
 Parc d'activité d'Arbora N°2
 69510 SOUCIEU EN JARREST
 FRANCE

Tél. : 33 (0)4 72 31 31 30
 Fax. : 33 (0)4 72 31 31 31

Your representative