

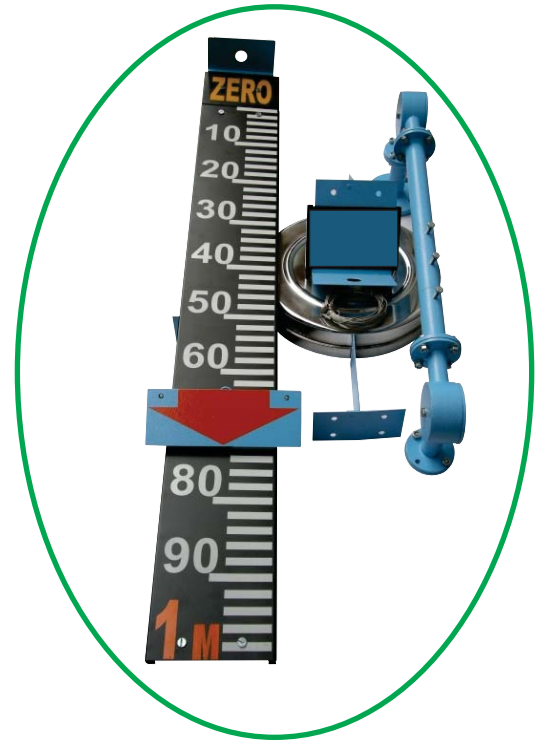
INTRODUCTION

'TANSA' make Float & Board Level Indicators are designed for an accurate, reliable & trouble free float operated technique used in large non-pressurized storage tanks.

PRINCIPLE

Direct Indication

The Float & Board Level Indicators consists of a float connected to a pointer through a rope via a set of pulleys. The pointer glides over a calibrated gauge board, positioned parallel to the tank. The float accurately follows liquid level variations in vertical direction. The horizontal float movement is as such, the pointer in 'TOP POSITION' when tank is 'EMPTY' and in 'BOTTOM POSITION' when 'FULL'.



Gauge Classification

Measuring Range	:	Up to 25 meters. For more than 25 meters please consult factory.
Float	:	12 Inch or 15 Inch
Calibrated Gauge Board	:	6" wide x Al white powder coating with black graduations & numerals
Least Count	:	5mm
Maximum Temperature	:	80°C (PP) / 150°C (SS)
Maximum Pressure	:	5 Kg/cm ²
Float Wire Rope	:	Ø1.6mm x SS 316 / SS 304 (multistrand) / Ø6mm x PP (multistrand)
Installation	:	Grounded Level Tank / Underground Tank (sump) / Overhead Tank
Specific Gravity of Fluid	:	0.75
Connecting Pipe	:	Carbon Steel Powder Coated

Local Indication

Direct	:	Powder coated Red CI pointer with Nylon Rollers to provide super smooth movement along gauge board. Pointer Tip indicates 'Level'.
Follower Magnet	:	Red Capsule moving inside indicator tube. White annular line on capsule indicates 'Level'.
Pulley Assemblies (2 Nos.)	:	Cadmium Plated Steel Pulley with PTFE bush and SS shaft housed in weather proof CI enclosure.

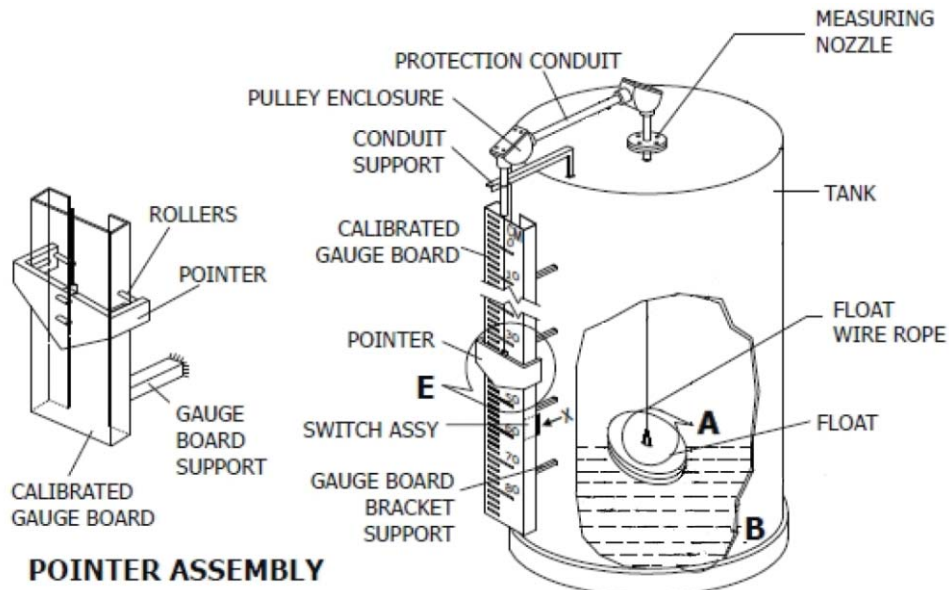


Protection Conduit

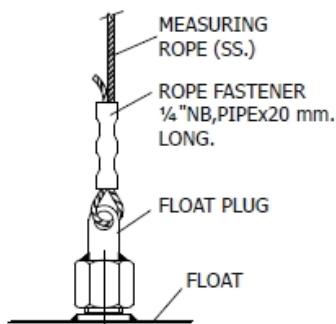
Horizontal Limb	:	GI pipe 25NB x 400mm to 800mm (adjustable)
Vertical Limb	:	GI pipe 25NB x 195mm & 100mm long
Process Connections	:	1" 150#
Gauge Board Brackets	:	Powder coated MS

Special Features

Seal Pot	:	For Tanks with vapour pressure upto 600 mm WC or corrosive fumes
Adjustable S/W	:	Reed S/W - 40VA (N/O), 60VA (C/O), Micro S/W - 5A, 230 VAC (C/O)
Note	:	Custom made assemblies can be provided for specific applications



Float & Board Level Indicator Assembly



Float Assembly

